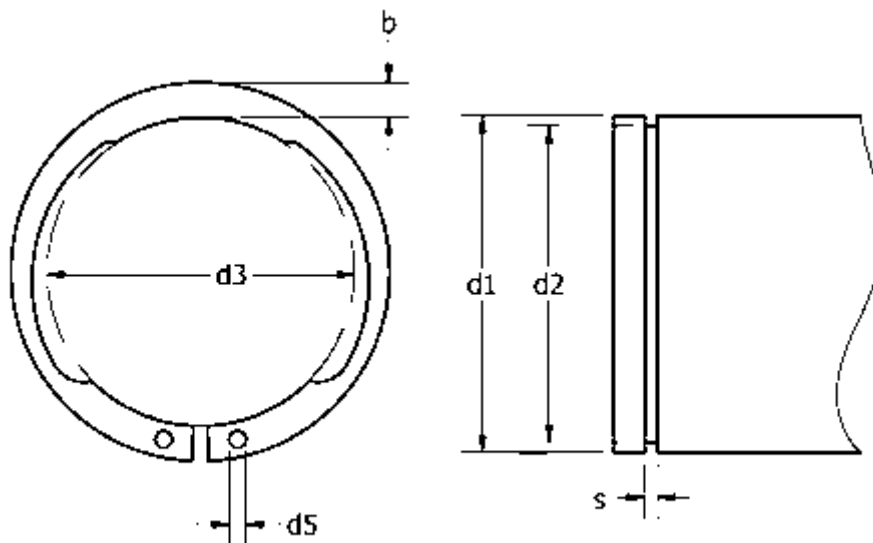


Data Sheet



Article number: 0105057
 Description: Retaining ring AV 40
 Note: Fitted with ZGA pliers

Measures



AN mm ²	= 75.0	FRg kN	= 7.8	t	= 1.25
b	= 4.7	FR kN	= 42.0	tol	= -0.06
d1	= 40	g	= 2.0	tol	= -0.25
d2	= 37.5	K kN-mm	= 77.0	tol	= +0,39-0,90
d3	= 36.50	m min	= 1.85	tol	= 0.2
d5 min	= 2.0	n abl x 1000	= 15	Tong	= ZGA-2
Description	= AV 40	s	= 1.75	Weight kg/1000	= 6.49
FN kN	= 12.60	Side power N at I2	= 3.8		